

Breather Valves

Brass

SPECIFICATION

Valve body
Brass **MS**
Breather cap
Stainless steel AISI 304 **M**
Gasket
Brass
with silicone-rubber coating (VMQ)
Spring
Stainless steel AISI 301
Seal DIN 7603 A
Soft iron 1.0338
Temperature resistant from -30 °C to +200 °C

INFORMATION

Once the opening pressure given in the table is exceeded, breather valves GN 881 with gasket will vent into a container and so protect against excessive inside container pressure. A green colour ring marks the opening pressure of 200 mbar. In its normal state, the gasket closes the container and so prevents dirt or dust getting inside the container. The above diagram shows the air outlet as a factor of the opening pressure. The installation position is vertical to the top. The valves are checked for leak tightness and opening pressure.

Assembly instruction:

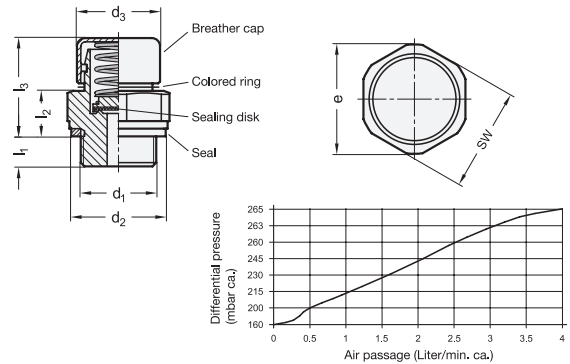
For mounting on walls of less than 4 mm thickness please use mounting nuts GN 7430 (see page).

ACCESSORY

- Mounting Nuts GN 7430 (see page)

ON REQUEST

- Other materials
- With opening pressure 50 mbar (yellow ring)
- With dipstick



GN 881

Description	d1	Opening pressure in mbar ±20%	d2	d3	e ≈	l1	l2	l3	A/F	⚖
GN 881-M12x1.5-200-MS-M	M 12 x 1.5	200	18	20	23.5	8.5	11.5	24.5	22	39
GN 881-M14x1.5-200-MS-M	M 14 x 1.5	200	20	20	23.5	8.5	11.5	24.5	22	44
GN 881-M16x1.5-200-MS-M	M 16 x 1.5	200	22	20	23.5	8.5	11.5	24.5	22	49
GN 881-M18x1.5-200-MS-M	M 18 x 1.5	200	24	20	23.5	8.5	11.5	24.5	22	52
GN 881-M20x1.5-200-MS-M	M 20 x 1.5	200	26	20	29	8.5	11.5	24.5	27	74
GN 881-M22x1.5-200-MS-M	M 22 x 1.5	200	27	22	29	8.5	11.5	24.5	27	79
GN 881-M24x1.5-200-MS-M	M 24 x 1.5	200	29	20	32.5	8	12	25	30	96
GN 881-M26x1.5-200-MS-M	M 26 x 1.5	200	32	20	34	8	12	25	32	112
GN 881-M30x1.5-200-MS-M	M 30 x 1.5	200	36	20	39	8	12	25	36	148
GN 881-G1/4-200-MS-M	G 1/4	200	20	20	23.5	8.5	11.5	24.5	22	42
GN 881-G3/8-200-MS-M	G 3/8	200	23	20	23.5	8.5	11.5	24.5	22	51
GN 881-G1/2-200-MS-M	G 1/2	200	26	20	29	8.5	11.5	24.5	27	76
GN 881-G3/4-200-MS-M	G 3/4	200	32	20	34	8	12	25	32	113
GN 881-G1-200-MS-M	G 1	200	39	20	44	8	12	25	41	186